



#### SAFETY

Strictly comply with the following safety recommendations when assembling and using this bike carrier, the manufacturer will not be responsible for the false assembling and usage.



Hold 2 bikes max loading 66lbs (30kg).



Back up and parking: When the bike carrier is mounted, the total width of the vehicle increased. The same bikes can increase the width and the total height of the vehicle. Be careful in backward motion.



After traveling a short distance, check the assembly to make sure it is fixed properly. Check the straps and the bolts to make sure they are well tightened, and check regularly during the trip. Straps and screws will get worn with time. In this case, they must be replaced immediately.



Do not brake or accelerate sharply!  
Do not make sharp turns! Make sure the speed is under 40 km / h.  
Make sure the speed is under 40 km/h when in bad situation on the road.



Driving speed: never drive faster than the speed prescribed by the Highway Code. Regardless this, you should never exceed a cruising speed of 120 kph when transporting bikes on this bike carrier.



Before starting, each time and frequently during the journey, check to make sure that the fixing mechanisms and bolts are tightened properly, and that the assembly is in good condition.



Do not cover the bikes with objects that can be removed by the wind-force.



To ensure the duty life of the products, use a wet towel or industrial alcohol to wipe up after use.  
For the screws, daub with lubricating oil or rust-proof oil and store in a dry area.  
When washing vehicle, please take the carrier off. Avoid corrosive solvents including cleaning solvents.



We reserve the right to improve product appearance and design without notice. In case of discrepancies, refer to actual product.

# cynder

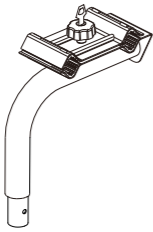


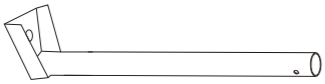
English

[www.Cynder.com](http://www.Cynder.com)

## **TOWBAR MOUNTED BIKE CARRIER** Instructions

**Part Number 00600**



Part No.	Figure	Quantity
1		1
2		1
3		1
4		1

Positions of individual parts

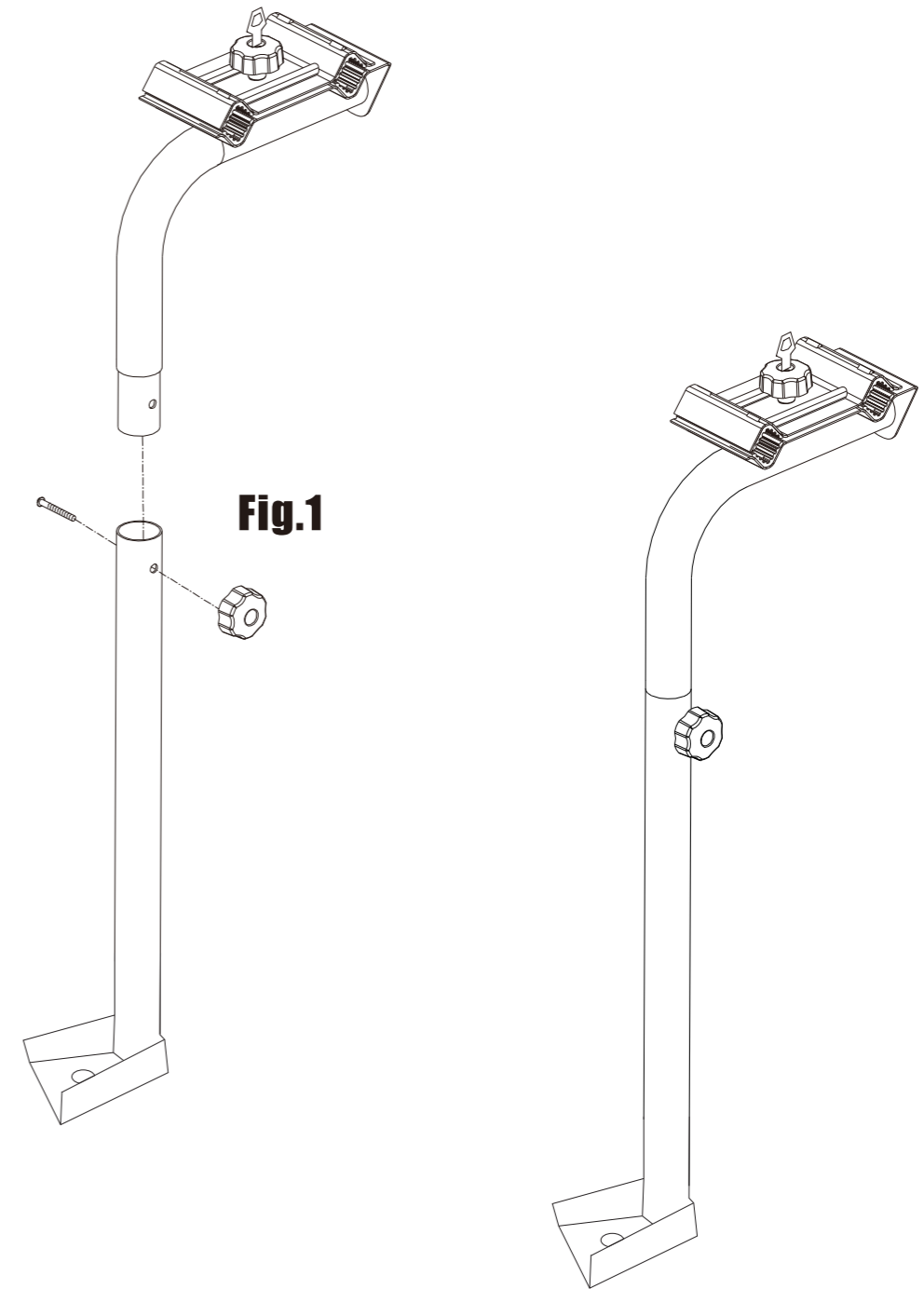
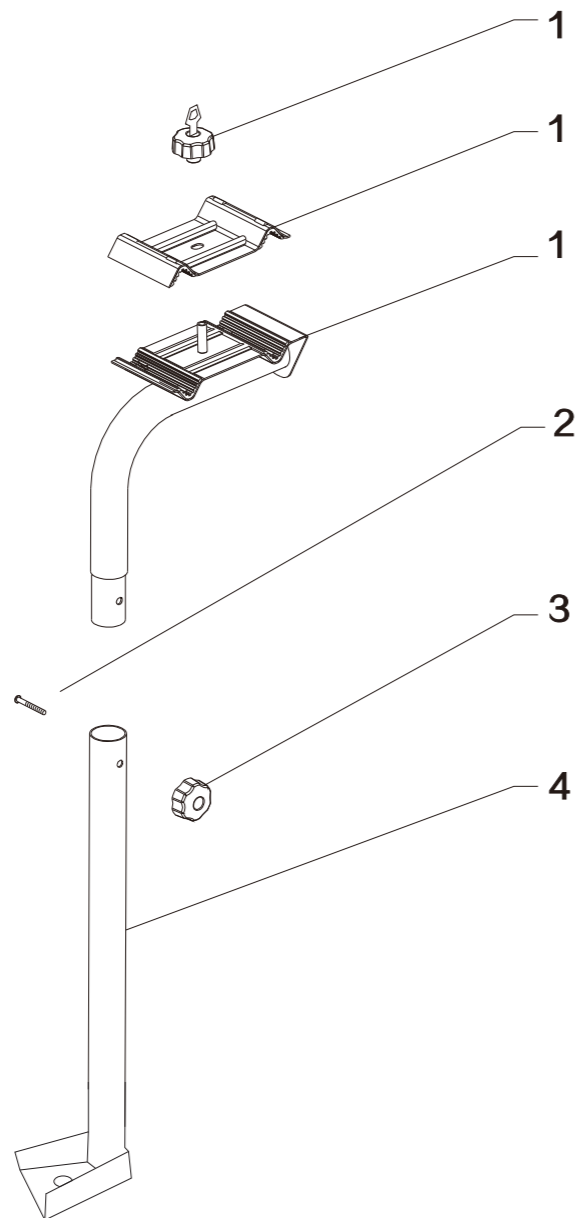






Figure				
Quantity	1	1	1	1

Install the bike carrier on vehicle's towbar, by utilizing the 2 inch towball.

Loosen the plastic knob and remove the upper securing plate as illustrated, place bicycles in position with the largest bicycles closest to the vehicle.

