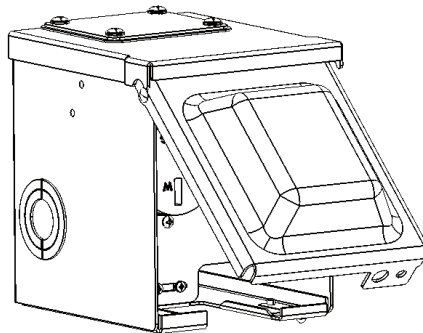


**WARNING: CAREFULLY READ THE FOLLOWING INSTALLATION INFORMATION.**

**cynder**

[www.cynder.com](http://www.cynder.com)

# *30 Amp Outdoor Outlet*



Part No. 02060

## Installation and Operating Instructions

### ⚠ Caution ⚠

- To prevent electrocution, make sure the cord/inlet is not connected to a power source before install this product.
- Failure to comply with the following instructions could cause an electrical failure or fire.
- Use only copper wire.
- This installation follows standard electrical practices and requires standard electrician tools. For installation by a qualified electrician in accordance with National and Local electrical codes and the following instructions

### Notes

- Select conductor size from National Electrical Code table 310.17 or Canadian Electrical code table 12. If any parts or components of the product are missing or damaged, contact the manufacturer. Do not return to the dealer.
- CYNDER CANNOT BE HELD RESPONSIBLE FOR ANY DAMAGES DUE TO IMPROPER USE OR INSTALLATION OF THIS PRODUCT.

# INSTALLATION

## Step 1:

Before installing, disconnect power.

## Step 2:

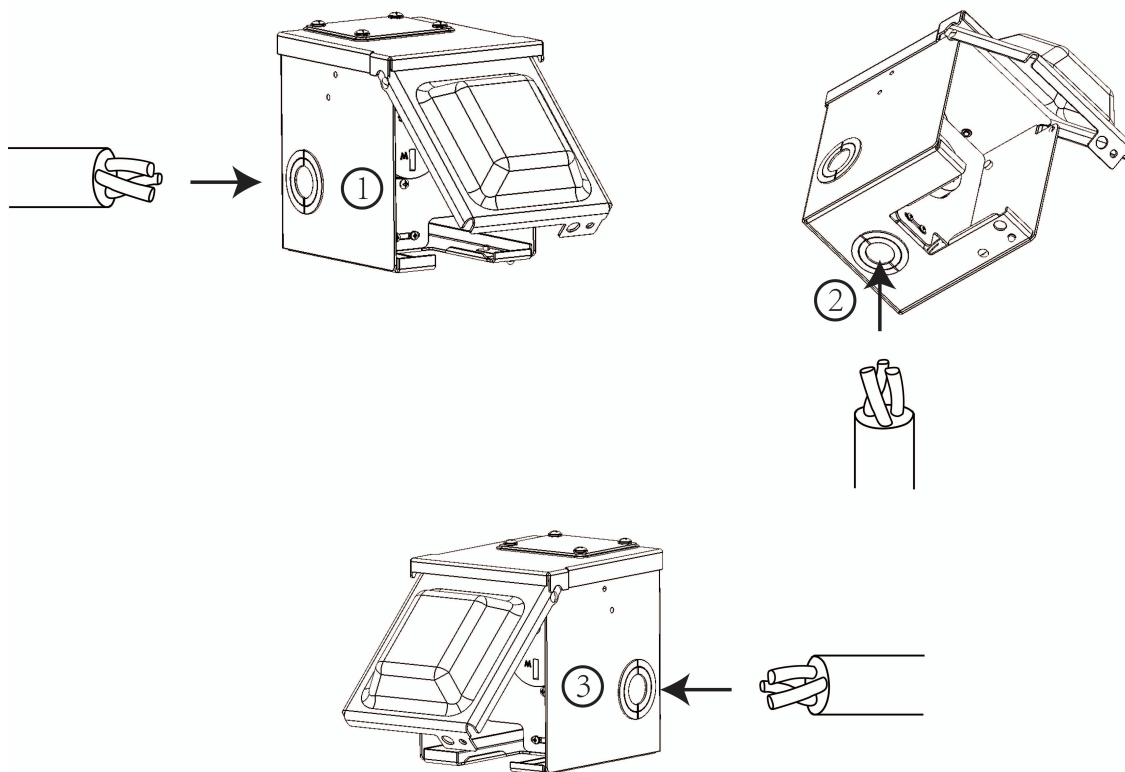
Mount body in accordance with 2002 National Electrical Code (Article 680) or Canadian Electrical Code (section 68) requirements.

## Step 3:

Identify and remove appropriate knockouts for all main and branch circuits (knock center knockout inward. Outer rings should be alternately pried up or driven in one at a time.)

## Step 4:

Feed supply wires into box.



## Step 5:

Loosen terminal screws from the receptacle.

## Step 6:

Connect the supply ground wire (green) to the ground lug, neutral wire (white) to the neutral terminal screw, and the supply wire (black) to line terminal screw of the receptacle.

Note: Consult your National and local Electrical codes or electrical inspector concerning bonding at the site.

## Step 7:

Securely tighten all terminal screws to the manufacturer's specifications.

## Step 8:

Ensure wires are folded neatly into the body, keeping the grounding wire away from the line and neutral terminals.

## Step 9:

Fix the body panel with the corresponding mounting hold provided. Installation is completed.