

**Rating when used as a weight distributing hitch with spring bars:**

<u>Part Number</u>	<u>Max Tongue Weight</u>	<u>Max Gross Trailer Weight</u>
48051	550 lbs.	10,000 lbs.
48052	750 lbs.	10,000 lbs.
48053	1000 lbs.	10,000 lbs.
48054	1400 lbs.	14,000 lbs.

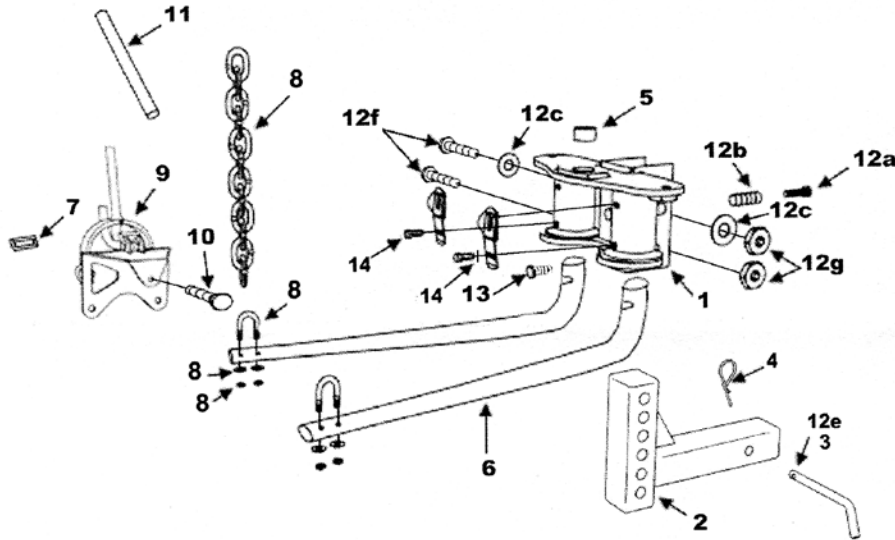
**CAUTION:** The tongue weight rating of the spring bars represents the capacity of a pair of bars, not an individual bar. Always use a pair of spring bars and be sure they are of the same weight rating. Spring bars must be greased daily when in use.

**Rating when used as a weight carrying hitch without spring bars:**

<u>Part Number</u>	<u>Max Tongue Weight</u>	<u>Max Gross Trailer Weight</u>
48051	500 lbs.	5,000 lbs.
48052	500 lbs.	5,000 lbs.
48053	500 lbs.	5,000 lbs.
48054	500 lbs.	5,000 lbs.

**Dealer / Installer:** Be sure customer receives installation instructions after hitch has been installed.

Do NOT exceed the towing vehicle manufacturer's load rating.  
READ ALL INSTRUCTIONS AND CHECK PACKAGE CONTENTS BEFORE BEGINNING INSTALLATION



\*Hitches that come with 48120 shank.

- 48051
- 48052
- 48053
- 48054

\*\*Hitches that do not come with shank.

- 48061
- 48062
- 48063
- 48064

TOLL FREE SERVICE NUMBER 800-334-2004  
Specifications subject to change without notice.  
All replacement hardware must be of a type approved by this manufacturer.

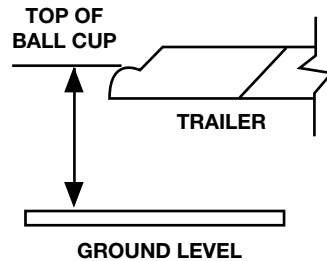
NO.	DESCRIPTION	PART NO.
1.	BALL MOUNT for 2" sq. size shank 550-750-1000-1400	48081
2a.	ADJUSTABLE 2" SQUARE SHANK HI-LOW 10" long (comes with hitch)* 12" long (optional) 14" long (optional) 16" long (optional)	48120 48121 48122 48123
2b.	ADJUSTABLE SHANK EXTRA HI-LOW 2" square (3-1/4" ADDITIONAL DROP)** 10" long 12" long 14" long	48130 48131 48133
2c.	ADJUSTABLE SHANK EXTRA LOW 2" SQUARE (7" ADDITIONAL DROP)** 12" long	48132
3.	HITCH PIN	48021
4.	SPRING CLIP	57527
5.	BUSHING 1-1/4" to 1"	48023
6.	SPRING BAR 550 lbs. rating 750 lbs. rating 1000 lbs. rating 1400 lbs. rating	48091 48092 48093 48094

NO.	DESCRIPTION	PART NO.
7.	HOOK-UP WIRE CLIP for p/n (48029)	48028
8.	CHAIN PACKAGE (550-750-1000-1400) 2 chains (9 links) 2 U-bolts (3/8") 4 locknuts 4 flat washers	48033
9.	QUICK HOOK-UP	48029
10.	SET SCREW (hook-up)	48100
11.	LEVER BAR	48031
12.	BOLT PACKAGE (for 550-750-1000-1400) a. 1 each rivet 1" b. 8 each spacer washer c. 2 each 3/4" conical washer e. 1 each hitch pin f. 2 each bolt 3/4"- 10 x 4-1/2" g. 2 each nuts 3/4"-10 h. 1 each spring clip i. 1 each bushing, reduce 1-1/4" hole to 1"	48101
13.	SET SCREW (for 550-750-1000-1400 ball mount)	48103
14.	Spring Bar Locking Device Repair Kit	48104

- 1** The height of the ball must be determined before any assembly work can be started.
- To get ball height, measure trailer from ground level to top of ball coupler. Be sure trailer is parallel to ground. To this measurement add approximately 1/8" for each 100 lbs. tongue weight for tow cars without overloads. For cars with overloads, or trucks, add approximately 1/16" for each 100 lbs. tongue weight. This will compensate for vehicle "squat."

- 2** After ball height has been determined: write down the ascertained height.

**EXAMPLE:** Measured top of coupler height was 17" from ground, trailer hitch weight (weight coupler would impose on ball, downward) is 600 lbs. ( $6 \times 1/8"$  for car without overloads =  $3/4"$ .) Therefore,  $3/4" + 17" = 17-3/4"$  hitch setting height (to top of ball; assembled.)



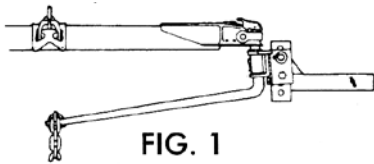
- 3** Slide shank into sleeve receiver; insert hitch pin (48021) and spring clip (57527). With ball attached to ball mount, slide ball mount up or down shank (shank may be used in the up or down position) until nearest dimension is obtained and holes line up with shank. Insert bolt in bottom hole first (rest hitch head.)

- 4** Rivet (12a) and 8 spacer washers (12b) are supplied in order to gain correct downward angle of spring bars. Insert rivet, and depending on angle or slope of bars that must be gained, use either 8 or the least amount of washers necessary in order to establish correct angle. (See Fig. 1, 2, and 3 below.)

The rivet and its accompanying washers are placed in the 1/2" hole between the "U" on ball mount to acquire desired angle of spring bar. Once spring bar angle has been determined, insert top bolt (12f) with serrated washer (12c). Install second serrated washer and nut (12g) to secure unit in correct position, now insert bottom bolt (12f) and nut (12g). Before tightening bolts, lock set screw (48103). Tighten the 3/4" top bolt to 260 ft. lbs. torque once head angle is set. Secure lower bolt to 260 ft. lbs. torque. After first day of towing, check set screw for tightness.

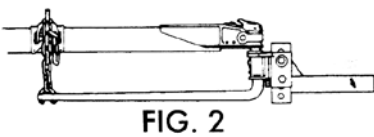
**BEFORE HOOKING UP**

Spring bars should hang down on a 10° to 13° angle when ball mount has been tilted back at 6° to 8° angle.



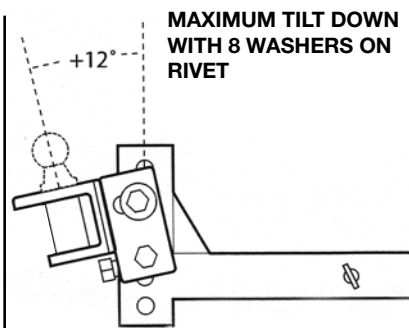
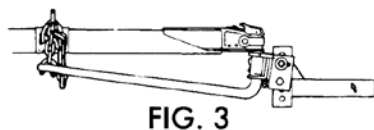
**AFTER HOOKING UP**

Spring bar should be parallel with trailer frame, or a slight angle up or down.

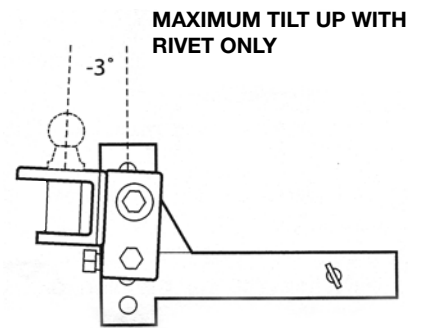


**WRONG**

Readjust degree of tilt on ball mount, if you have more than 5 links of chain hanging free. The number of links should be the same on both bars.

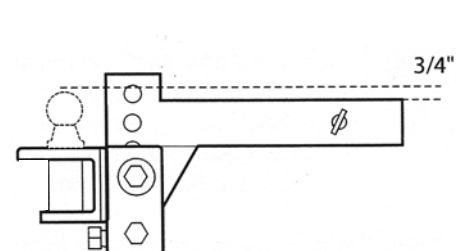
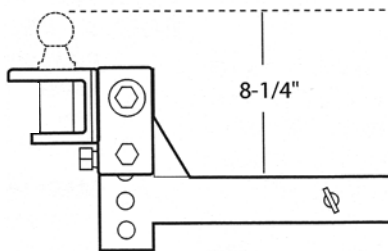


**MAXIMUM TILT DOWN WITH 8 WASHERS ON RIVET**



**MAXIMUM TILT UP WITH RIVET ONLY**

**EACH WASHER LOWERS CHAIN END OF SPRING BAR APPROX 1-1/2"**



**BOLT-TOGETHER BALL MOUNT HAS 7-1/2" ADJUSTMENT, EACH ADJUSTMENT 1-1/4" EXTRA HI-LOW SHANKS AVAILABLE IF NEEDED**

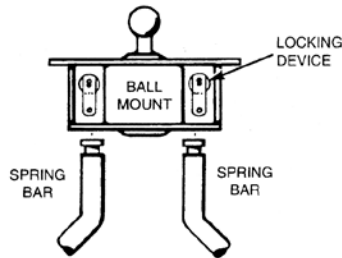
**WARNING:** By towing a trailer you change the handling characteristics of the tow vehicle. Conditions you may encounter can cause sudden trailer sway. When used properly, the Eaz-Lift Adjustable Weight Distributing Hitch and Sway Control dampen and reduce trailer sway and by distributing trailer tongue weight reduce unsafe towing vehicle handling. **IMPORTANT:** Short wheel base vehicles may induce sway when towing a trailer. **USE EXTREME CAUTION.**

To determine whether or not a particular tow vehicle and trailer combination is suitable, you should always refer to the driver's manual or user's manual provided by the vehicle and trailer manufacturers and seek the recommendations and advice of the trailer dealer.

The United States Department of Transportation, the American Automobile Association, and various recreational vehicle associations and RV magazines also offer good advice on trailer towing practices.

**1** Put Ball Mount into sleeve and insert 5/8" Hitch Pin, using Spring Clip to lock Pin in place. Hitch balls are not furnished with the hitch as there are several sizes. Normally they are supplied or may be purchased from the dealer to match the coupler of the trailer. A Ball Shank Bushing is supplied to reduce the size of the ball hole in the hitch down to 1" if needed.

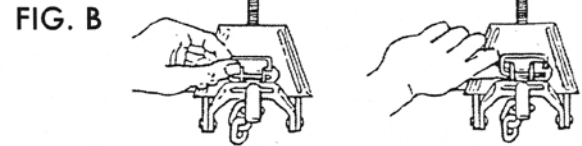
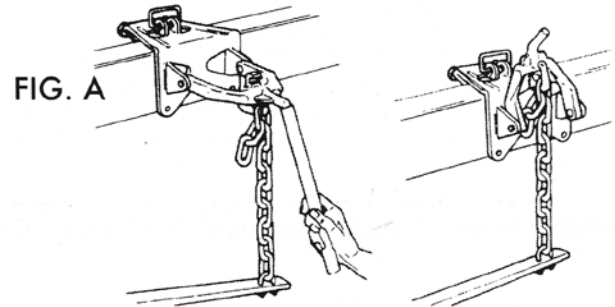
**2** Measure towing vehicle before adding load to towing vehicle. Measure distance between back bumper and ground, write it down. Measure distance between front bumper and ground, write it down. Hook trailer to tow vehicle. Lock on ball. To make hooking up easier and safer-raise front of trailer and back of towing vehicle above level with trailer tongue jack. This removes some of the tension by reducing the distance between spring bar and hook-up arm.



**3** The Spring Bars can be inserted into either side of Ball Mount (there is no 'right' or 'left bar'). To lock, insert and lock Spring Bar in socket, hold bar under socket and push up. The Spring Bar will automatically be locked into position by the Spring Bar Locking Device. (Check to make sure bar is locked in by moving it up and down the chain end.) To remove Spring Bars, just pull out on the locking device or swing bar around under the bumper and it will drop free.

**4** To find correct location on trailer frame for Quick Hook-Up Bracket, hold chain straight up and free of twist. Center hook-up bracket on frame and tighten Set Screw 1/4 TURN ONLY. DO NOT OVER TIGHTEN. On straight tongue trailers our #48250 adapter is necessary.

**5** You are now ready to put tension on spring bars. For safety make sure step 2 is completed. When using the Quick Hook-Up (48029), lower the arm and slip link of chain over hook. Insert Lever Bar (48031) over end of Quick Hook-Up arm. Lift and flip over center. (See Figure A.)



**CAUTION:** MAKE SURE THAT HOOK-UP ARM IS COMPLETELY SEATED AND SPRING BAR IS PUSHED DIRECTLY UNDER HOOK-UP CHAIN HOOK. Now install Hook-Up locking clip through locking ears and over hook on Hook-Up arm. (See figure B.)

**6** Release Trailer Tongue Jack. By adjusting the chain links up or down, the desired levelness of the car and trailer will be gained. Remeasure front and back of towing vehicle and have both settle the same amount or up to an inch lower in back by adjusting chain on Spring Bars. You have now distributed the trailer tongue weight on both axles of the towing vehicle. (See Hook-Up instructions on page 5.)

**7** To release tension on spring bars, raise front of trailer and back of towing vehicle above level (approx. 3") with trailer tongue jack. Remove locking clip from Quick Hook-Up bracket. Insert (48031) Lever Bar over arm. Carefully lower arm with Lever Bar. It will require effort to bring arm over center and then to resist the chain tension as the arm rotates downward.

**MAINTENANCE:** Use heavy lubrication such as fiber type wheel bearing grease on hitch ball and on spring bars. Recommended every day. Keep hitch painted to prevent rust and check tightness of bolts regularly. Clean out old grease, do not let it harden inside of the Ball Mount.

**1 PROPER METHOD OF HOOKING UP WEIGHT DISTRIBUTING HITCH WITH LOAD IN TOWING VEHICLE**

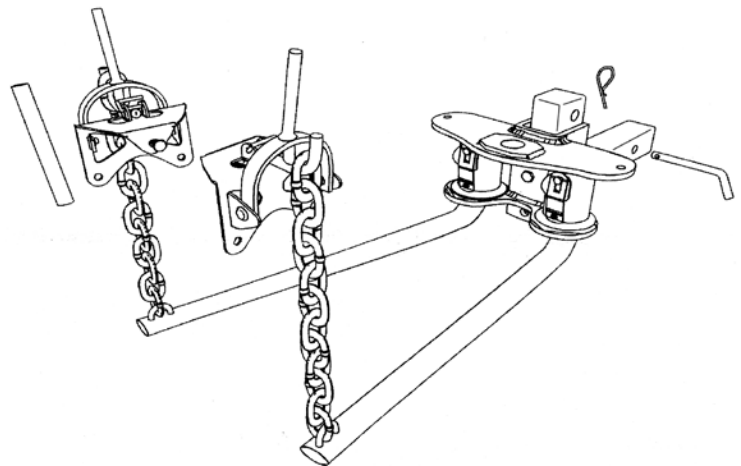
- A. Measure distance between back bumper and ground, write it down.
- B. Measure distance between front bumper and ground, write it down.
- C. Hook up trailer to towing vehicle.
- D. Raise front of trailer and back of towing vehicle above level with trailer tongue jack (approx. 3").
- E. Secure spring bars to Hook-Up Bracket.
- F. Release trailer tongue jack.
- G. Remeasure front and back of towing vehicle and have both settle the same amount or up to an inch lower in back by adjusting chain on spring bars.
- H. You have now distributed the trailer tongue weight on both axles of towing vehicle.
- I. See step 7 on previous page.

**2 PROPER METHOD OF HOOKING UP WEIGHT DISTRIBUTING HITCH WITH HEAVY LOAD IN TOWING VEHICLE**

- A. Have proper size hitch to carry tongue weight of trailer and load in vehicle.
- B. Measure towing vehicle before adding load to towing vehicle.
- C. First measure distance between back bumper and ground and write it down.
- D. Measure distance between front bumper and ground, write it down.
- E. Add load to towing vehicle.
- F. Hook up trailer to towing vehicle.
- G. Raise front of trailer and back of towing vehicle above level with trailer tongue jack (approx. 3").
- H. Secure spring bars to Hook-up Bracket.
- I. Release trailer tongue jack.
- J. Remeasure front and back of towing vehicle and have both settle the same amount or up to an inch lower in back by adjusting chain on spring bars.
- K. You have now distributed the trailer tongue weight on both axles of the towing vehicle.
- L. See step 7 on previous page.

**3 PROPER METHOD OF HOOKING UP WEIGHT DISTRIBUTING HITCH WITH AIR SHOCKS OR AIR BAGS**

- A. Air shocks or air bags should only be used to support the added weight you load in the back end of tow vehicle.
- B. After you have adjusted the shocks, measure distance between rear bumper and ground, write it down.
- C. Measure distance between front bumper and ground, write it down.
- D. Hook up trailer to towing vehicle.
- E. Raise front of trailer and back of towing vehicle above level with trailer tongue jack (approx. 3").
- F. Secure spring bars to Hook-Up Bracket.
- G. Release trailer tongue jack.
- H. Remeasure front and back of towing vehicle and have both settle the same amount or up to 1/2" lower in back by adjusting chain on spring bars.
- I. **CAUTION:** Do not adjust air shocks or air bags to support any of the tongue weight of trailer.
- J. You have now distributed the trailer tongue weight on both axles of the towing vehicle.
- K. See step 7 on page 4.



Our return policy is limited to the replacement of original purchase. No other liability, responsibility or warranty is expressed or implied, including any regarding merchantability or suitability for a particular purpose. Camco cannot be held responsible for any damages due to improper use or installation on this product.

**CAMCO MFG., INC.**

121 Landmark Drive / Greensboro, NC 27409 / USA

1-800-334-2004

[www.eaz-lift.com](http://www.eaz-lift.com)