

When ordering parts, always state:  
 MODEL NO. - PRODUCT NO. - QUANTITY -  
 PARTNUMBER-DESCRIPTION  
 For Electric Details also state:  
 VOLTAGE - WATTAGE

**630(X)(XX).331(X)  
 Roof Mounted Heat Pump  
 63051(X).336(X)  
 Roof Mounted Heat Pump  
 With Solar Panel**

120 VAC / 60 Hz.

Used With

**3106152.006 Mechanical ADB For 630025 Or  
 \*3106575.XXX Electronic ADB (Includes Control Kit)  
 For 630035 Or**

**\*3106615.00X Electronic ADB For 630515/630516 Or  
 \*3106395.XXX Electronic ADB For 630515/630516  
 W/Heat Pump Decal**

OR

**(\*)(\*\*)**3105007.XXX Cover Kit, Return Air Or  
 (\*)(\*\*)**3105935.XXX Cover Kit, Return Air W/Quick Cool Grill Or  
 (\*)(\*\*)**3308120.XXX Cover Kit, Genesis Return Air  
 (\*)(\*\*)**AND**********

**3109226.005 CCC Control Kit For 630035  
 3109228.001 Comfort Control Center  
 For 630035/630515/630516**

**\* Requires One Comfort Control Center**

**\*\* When Used With 630035 Requires One CCC Control Kit**

**USA**  
 SERVICE OFFICE  
 Dometic Corporation  
 2320 Industrial Parkway  
 Elkhart, IN 46516  
 574-294-2511

**CANADA**  
 Dometic Distribution  
 866 Langs Drive  
 Cambridge, Ontario  
 CANADA N3H 2N7  
 519-653-4390

**For Service Center  
 Assistance Call:  
 800-544-4881**

**PARTS LIST**

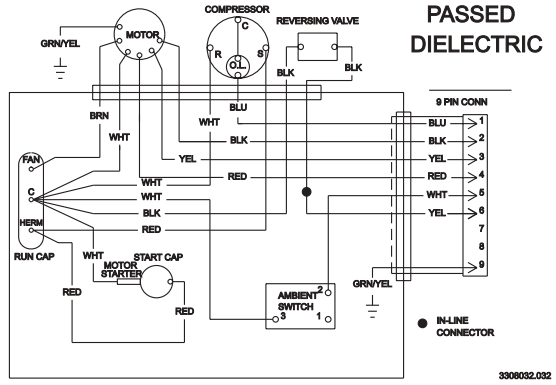
Model Number	Product Number
630025.331(X)	991760406
630035.331(X)	991760407
630515.331(X)	991760408
630515.336(X)	991760409
630516.331(X)	991760410
630516.336(X)	991760411

# SPECIFICATIONS

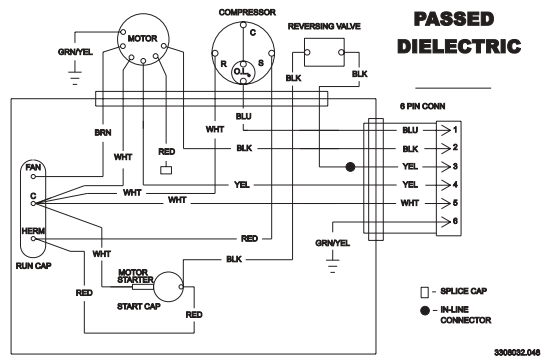
Model No.	Nominal Capacity (BTU/HR) Cooling	Electrical Rating	Compressor Rated Load Amps	Compressor Locked Rotor Amps	Fan Motor Rated Load Amps	Fan Motor Locked Rotor Amps	SCFM-High Speed Max/Min	Total Static Max/Min W.C.	Refrigerant R-22 (Oz.)	Minimum Wire Size*	AC Circuit Protection ** User Supplied	Installed Weight (Pounds)	Minimum Generator Size** 1 Unit/2 Units
630025.331	13,500	115 VAC, 60 Hz., 1 PH	12.4	60.0	3.5	10.0	335/250	.012/0.65	23.5	12AWG Copper	20 Amp	99	3.5 KW / 5.0 KW
630035.331	13,500		12.4	60.0	3.5	10.0	335/250	.012/0.65	23.5	Up To 24*	20 Amp	99	3.5 KW / 5.0 KW
630515.331	13,500		12.4	60.0	3.5	10.0	335/250	.012/0.65	23.5		20 Amp	95	3.5 KW / 5.0 KW
630515.336	13,500		12.4	60.0	3.5	10.0	335/250	.012/0.65	23.5		20 Amp	95	3.5 KW / 5.0 KW
630516.331	15,000		12.0	64.0	3.3	8.2	335/250	.012/0.65	20.0		20 Amp	95	3.5 KW / 5.0 KW
630516.336	15,000		12.0	64.0	3.3	8.2	335/250	.012/0.65	20.0		20 Amp	95	3.5 KW / 5.0 KW

\* For wire length over 24 ft., consult the National Electric Code for proper sizing.  
 \*\* Dometic Corporation gives **GENERAL** guidelines for generator requirements. These guidelines come from experiences people have had in actual applications. When sizing the generator, the total power usage of your recreational vehicle must be considered. Keep in mind generators lose power at high altitudes and from lack of maintenance.  
 \*\*\* **CIRCUIT PROTECTION:** Time Delay Fuse or HACR Circuit Breakers Required.

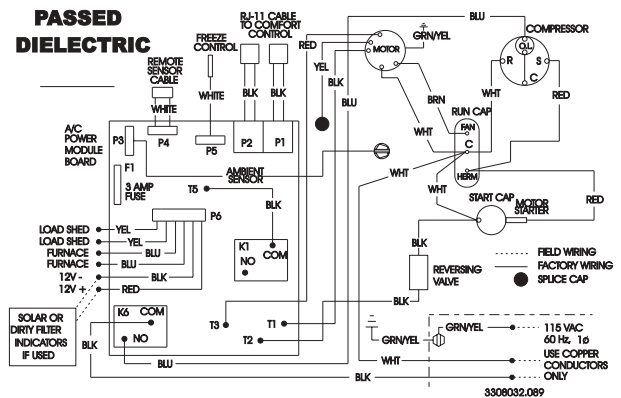
## WIRING DIAGRAM FOR MODELS 630025.331(X)

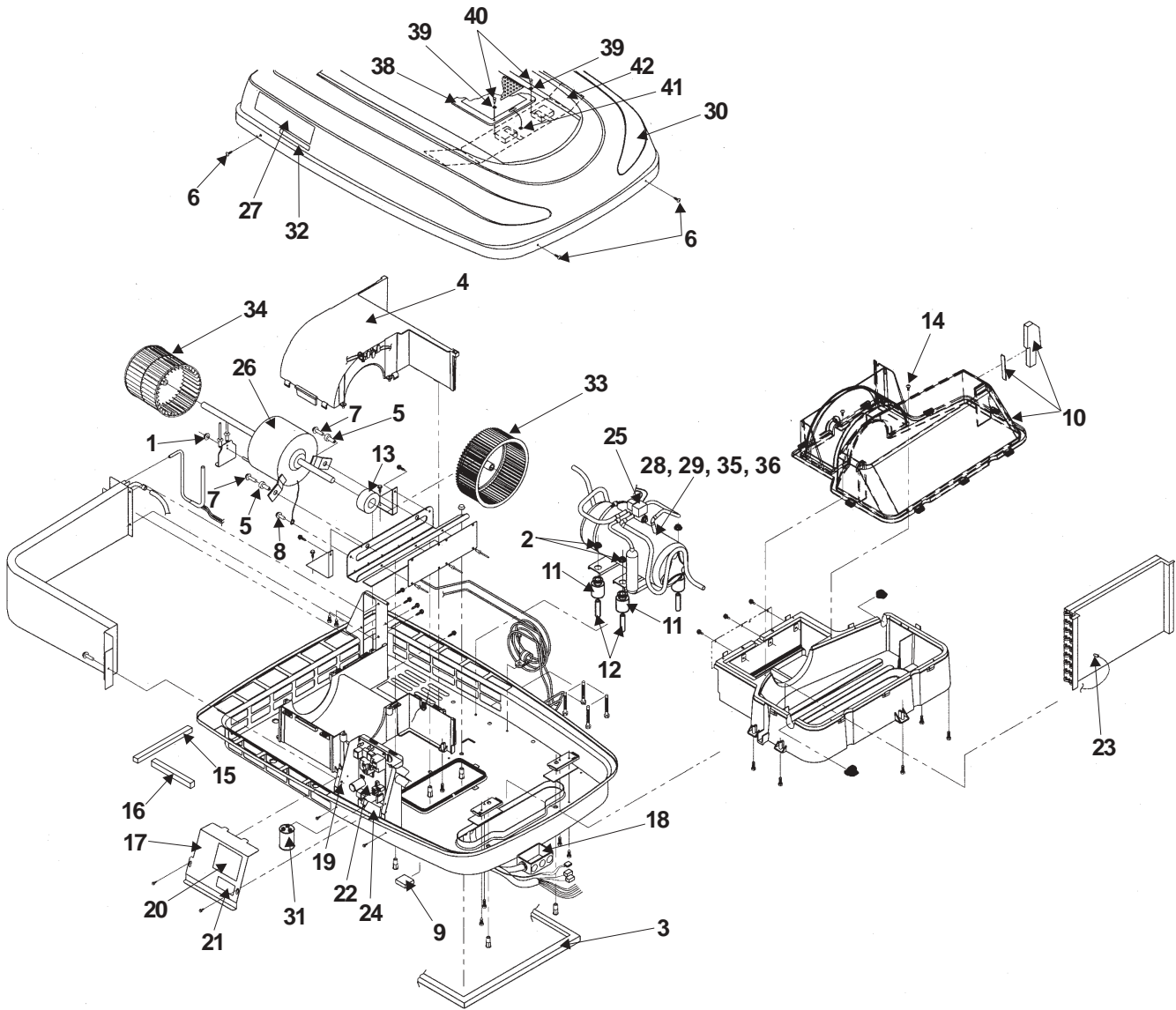


## WIRING DIAGRAM FOR MODELS 630035.331(X)



## WIRING DIAGRAM FOR MODELS 630515.33(X)(X) & 630516.33(X)(X)





**Only Parts Identified With An Index Number Are Available For Service Replacement.**

**CUSTOMER OPTION:**

3109228.001	Comfort Control Center
3109226.005	CCC Control Kit For 630035 Ducted
3106152.006	Air Box Asm., Complete Mechanical-Shell White For 30025
3106575.024	Air Box Asm., Complete Electronic W/CCC Control Kit-Shell White For 630035
3106575.032	Air Box Asm., Complete Electronic W/CCC Control Kit-Polar White For 630035
3106395.001	Air Box Asm., Complete Electronic-Shell White W/Heap Pump Decals For 630515 & 630516
3106395.019	Air Box Asm., Complete Electronic-Polar White W/Heap Pump Decals For 630515 & 630516
3106615.002	Air Box Asm., Complete Electronic-Shell White For 630515 & 630516
3106615.010	Air Box Asm., Complete Electronic-Polar White For 630515 & 630516
3106486.008	Remote Sensor 20'
3106486.016	Remote Sensor 60'
3106486.024	Remote Sensor 40'
3105007.037	Cover Kit, Return Air-Shell White W/Logo
3105007.045	Cover Kit, Return Air-Polar White W/Logo
3105935.039	Cover Kit, Return Air-Shell White W/Quick Cool Grill & Logo
3105935.047	Cover Kit, Return Air-Polar White W/Quick Cool Grill & Logo
3308120.009	Cover Kit, Genesis Return Air-Shell White
3308120.017	Cover Kit, Genesis Return Air-Polar White

**FILTER KITS:**

3108047.006	Filter Kit, Electrostatic For 3105007/3105935 Return Air Cover
3308155.005	Filter Kit, For 3308120.009 Genesis Return Air Cover-Shell White
3308155.013	Filter Kit, For 3308120.017 Genesis Return Air Cover-Polar White

Index	Description	Part Number						
			A	B	C	D	E	F
1	Nut, Flange Fan Motor	306342.003	A	B	C	D	E	F
2	Nut, Flange Compressor Mtg. (4 req.)	306342.002	A	B	C	D	E	F
3	Gasket, 14" X 14"	3100247.000	A	B	C	D	E	F
4	Housing, upper condenser	3308017.015	A	B	C	D	E	F
5	Nut, 1/4"-20 x .80 Well (2 Req.)	3308101.001	A	B	C	D	E	F
6	Screw, Shroud (4 req.)	313685.001	A	B	C	D	E	F
7	Screw, M 1/4"-20 x 1" HHW (2 req)	312110.030	A	B	C	D	E	F
8	Screw, T 10-32 x .38" HHST	312237.002	A	B	C	D	E	F
9	Block, Foam 2" x 2" x 3/4" (3 req.)	3100587.009	A	B	C	D	E	F
10	Housing Kit, Upper Evaporator	3309332.009	A	B	C	D	E	F
11	Grommet, Compressor (4 req.)	3100238.181	A	B	C	D	E	F
12	Sleeve, Compressor (4 req.)	3100239.072	A	B	C	D	E	F
13	Collar, Foam Insulated	3307807.002	A	B	C	D	E	F
14	Screw, #8 x 3/4" Phillip (2 req)	-----	A	B	C	D	E	F
15	Gasket, 16" X 1.5" (2 req.)	3100286.016	A	B	C	D	E	F
16	Gasket, 10" X 1.5"	3100286.032	A	B	C	D	E	F
17	Cover, Electric Box	3308105.000	A	B	C	D	E	F
18	Box, Junction	3101316.036	-	-	C	D	E	F
19	Thermostat, Changeover	3105506.004	A	-	-	-	-	-
	Sensor, Ambient Air 48"	3106483.021	-	B	-	-	-	-
	Sensor, Ambient Air 26"	3106483.005	-	-	C	D	E	F
20	Decal, Field Wiring	3308032.032	A	-	-	-	-	-
	Decal, Field Wiring	3308032.048	-	B	-	-	-	-
	Decal, Field Wiring	3308032.089	-	-	C	D	E	F
21	Decal, Warning	3100384.019	A	B	C	D	E	F
22	Board, AC Power Module	3109229.009	-	-	C	D	E	F
23	Thermistor, Wire Harness	3109409.001	-	-	C	D	E	F
24	Compressor Start Kit	3106732.013	A	B	C	D	E	F
25	Coil, Harness Solenoid	3109864.003	A	B	C	D	E	F
26	Fan Motor Kit	3309333.007	A	B	C	D	-	-
	Fan Motor	3308038.009	-	-	-	-	E	F
27	Decal, Duo-Therm (2 req.)	3109274.005	A	B	C	D	-	-
	Decal, Duo-Therm 15,000 (2 req.)	3108694.021	-	-	-	-	E	F
28	Overload, Compressor	3100250.384	A	B	C	D	E	F
29	Nut Flange, Compressor Cover	306342.005	A	B	C	D	E	F
30	Shroud Kit	See Note 1	A	B	C	D	-	-
		See Note 2	-	-	-	-	E	F
31	Capacitor, Fan/Run	3100248.321	A	B	C	D	-	-
	Capacitor, Fan/Run	3100248.602	-	-	-	-	E	F
32	Decal, Heat Pump ( 2 req.)	3106381.001	A	B	C	D	E	F
33	Wheel, Evaporator	3308392.004	A	B	C	D	-	-
	Wheel, Evaporator	3100273.006	-	-	-	-	E	F
34	Wheel, Condenser	3100386.006	A	B	C	D	-	-
	Wheel, Condenser	3100274.012	-	-	-	-	E	F
35	Cover, Compressor Terminal (3-A-0174-ORC)	3102321.001	A	B	C	D	E	F
36	Gasket, Compressor Terminal Cover (3-A-0173-ORC)	3102320.003	A	B	C	D	E	F
37	Indicator Board, (not shown)	3109855.019	-	-	-	D	-	F
38	Panel, Solar	3109856.009	-	-	-	D	-	F
39	Washer, (2 req)	309513.039	-	-	-	D	-	F
40	Screw (2 req)	3105445.005	-	-	-	D	-	F
41	Grommet	3109283.014	-	-	-	D	-	F
42	Bracket Assembly, Field Template	3307908.008	-	-	-	D	-	F

**Note 1: Shroud Kit, Shell White 3308046.006**  
**Shroud Kit, Polar White 3308046.014**  
**Shroud Kit, Gray 3308046.022**  
**Shroud Kit, Black 3308046.030**

**Note 2: Shroud Kit, Shell White 3308047.004**  
**Shroud Kit, Polar White 3308047.012**  
**Shroud Kit, Gray 3308047.020**  
**Shroud Kit, Black 3308047.038**