

When ordering parts, always state:
MODEL NO. - PRODUCT NO. - QUANTITY -
PART NUMBER - DESCRIPTION

For Electric Details also state:
VOLTAGE - WATTAGE

59516.(X)3(X)(X) Modularized Roof Top Air Conditioner

USA
SERVICE OFFICE
Dometic Corporation
509 South Poplar Street
Lagrange, IN 46761
260-463-4858

CANADA
Dometic Distribution
866 Langs Drive
Cambridge, Ontario
CANADA N3H 2N7
519-653-4390

**For Service Center
Assistance Call:**
800-544-4881

PARTS LIST

MODEL Number	Product Number
59516.331(X)	991760308
59516.336(X)	991760420
59516.531(X)	991731786
59516.536(X)	991760376
59516.631(X)	991731785

Specification

Model Number	59516.33X(X)	59516.53X(X)	59516.631(X)
Nominal BTU Capacity*	15,000	15,000	15,000
Volts/Phase/Hertz (each circuit)	115 AC/1/60		
Compressor Run Amps	12.7	12.7	12.3
Compressor LRA	60	79.0	77
Fan Motor Run Amps	2.0	2.0	2.0
Fan Motor LRA	5.6	5.8	6.0
Heater Amps/Watts	12.7/1530		
Wire size**	Up to 24 ft.- Use No. 12AWG Copper Conductors		
AC Circuit Protection	20 Amp Time Delay Fuse or 20 Amp HACR Circuit Breaker		
DC Circuit Protection	Installation must comply with all National, State, Province, and/or electrical codes.		
Refrigerant	R-22		
System Refrigerant Charge (ozs.)	29	29	29.5
Installed Weight (lbs.)	102	102	102
Generator Size (KW) - Min***			
1 Unit	3.5	3.5	3.5
2 Units	5.0	5.0	5.0

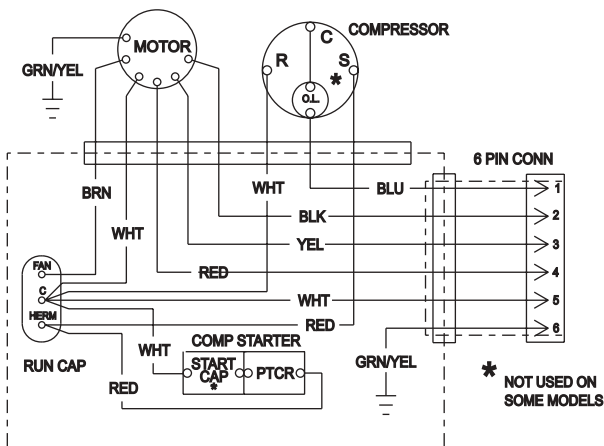
* Maximum unit performance achieved at full rated voltage.

** For lengths over 24 feet, consult the National Electrical Code.

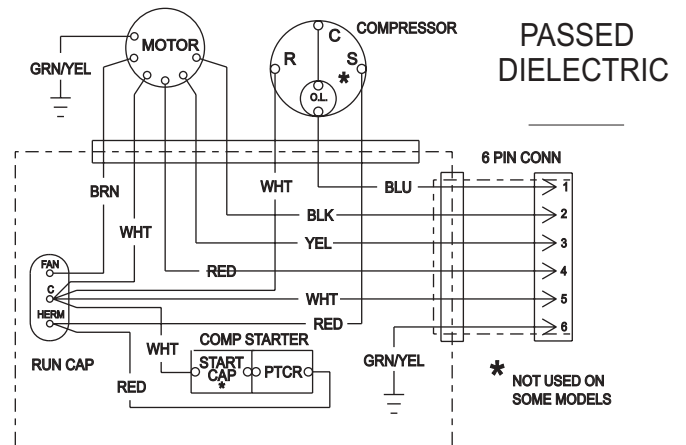
*** Dometic Corporation gives general guidelines for generator requirements. These guidelines come from experiences people have had in actual applications. When sizing the generator, the total power usage of your recreational vehicle must be considered. Also keep in mind generators lose power at high altitudes and from lack of maintenance.

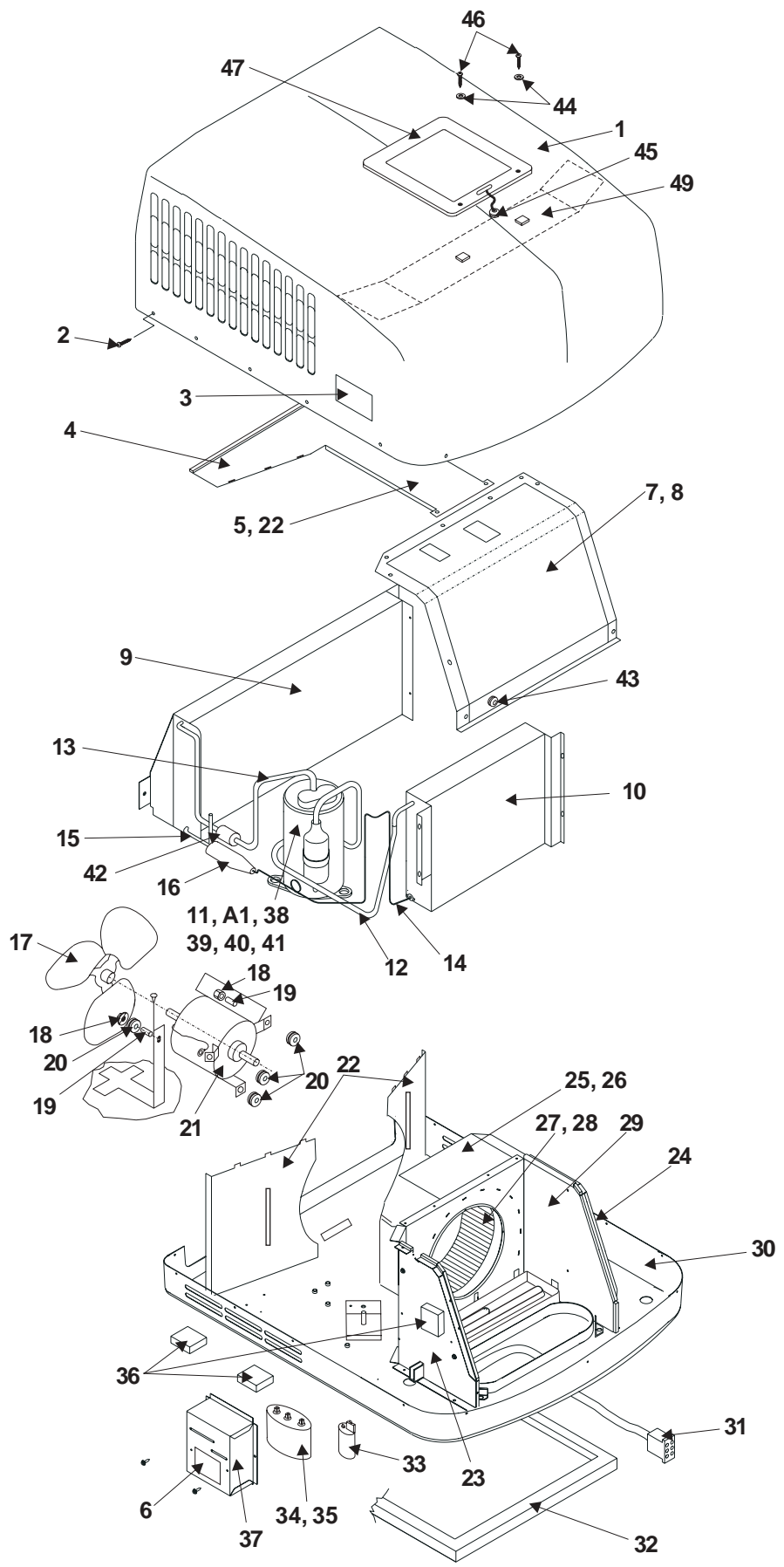
Wiring Diagram

Early Version



Later Version





Index No.	Description	Part No.	59516.331(X)	59516.336(X)	59516.531(X)	59516.536(X)	59516.631(X)	
1	Shroud	SEE NOTE 1	A	B	C	D	E	
2	Screw, Open End Shroud	SEE NOTE 2	A	B	C	D	E	
	Screw, Closed End Shroud	SEE NOTE 2	A	B	C	D	E	
3	Decal, Shroud Quick Cool (2 req.)	3104238.013	A	B	C	D	E	
4	Cover, Condenser	309383.000	A	B	C	D	E	Discontinued 10/12/03
5	Brace, Bulkhead	3100357.023	A	B	C	D	E	Discontinued 10/12/03
6	Decal, Field Wiring	3105052.017	A	B	C	D	E	Discontinued 8/24/03
	Decal, Field Wiring	3105052.025	A	B	C	D	E	Effective 8/25/03
7	Insulation, Evaporator Cover	3105014.066	A	B	C	D	E	
8	Cover, Evaporator	314885.002	A	B	C	D	E	
9	Coil, Condenser	3106341.021	A	B	C	D	E	
10	Coil, Evaporator	3105060.028	A	B	C	D	E	
11	Asm., Compressor (80611442)	3108911.011	A	B	-	-	-	Discontinued 6/6/03
	Asm., Compressor (80613142)	3108911.029	A	B	-	-	-	Effective 6/7/03
	A1 Overload Protector	3100250.384	A	B	-	-	-	
	Asm, Compressor (2K21C126B-SADM)	3104616.044	-	-	C	D	-	
	Asm, Compressor (RKC5515EXA)	3108147.004	-	-	-	-	E	
12	Suction Line	3109127.013	A	B	-	-	-	
	Suction Line	3109811.004	-	-	C	D	-	
	Suction Line	3108693.007	-	-	-	-	E	
13	Discharge Line	3109128.011	A	B	-	-	-	Discontinued 6/6/03
	Discharge Line	3109128.029	A	B	-	-	-	Effective 6/7/03
	Discharge Line	3108690.003	-	-	C	D	-	
	Discharge Line	3108692.009	-	-	-	-	E	
14	Capillary Tube (2 req.)	3100245.426	A	B	C	D	E	
15	Line, Process	315761.082	A	B	C	D	E	
16	Dryer, Filter	3103882.001	A	B	C	D	E	
17	Blade, Fan Motor	3107914.008	A	B	C	D	E	
18	Nut, Flange Fan Motor (4 req.)	306342.003	A	B	C	D	E	
19	Spacer, Fan Motor (4 req.)	308046.002	A	B	C	D	E	
20	Grommet, Fan Motor (4 req.)	3100230.022	A	B	C	D	E	
21	Fan Motor	3108706.916	A	B	C	D	E	
22	Bulkhead, Condenser	317923.001	A	B	C	D	E	Discontinued 10/12/03
	Bulkhead, Condenser	3308459.001	A	B	C	D	E	Effective 10/13/03
23	Insulation, LH Evaporator Bulkhead	3108137.005	A	B	C	D	E	
24	Insulation, RH Evaporator Bulkhead	3108137.013	A	B	C	D	E	
25	Insulation, Blower Housing	3104153.014	A	B	C	D	E	
26	Housing, Blower	3100865.033	A	B	C	D	E	
27	Wheel, Blower	3104887.009	A	B	C	D	E	
28	Ring, Blower Inlet	3106415.007	A	B	C	D	E	
29	Bulkhead, Evaporator	3100831.084	A	B	C	D	E	
30	Kit, Basepan	3108709.928	A	B	C	D	E	
31	Plug, 6 Pole	3106625.019	A	B	C	D	E	
32	Gasket, Roof	3108678.008	A	B	C	D	E	
33	Starter, Compressor Motor	3106732.005	A	B	C	D	E	
34	Fan/Run Capacitor	3100248.578	A	B	-	-	-	
	Fan/Run Capacitor	3100248.511	-	-	C	D	-	
	Fan/Run Capacitor	3100248.495	-	-	-	-	E	
35	Strap, Capacitor	317188.000	A	B	C	D	E	
36	Block, Foam (7 req.)	3100587.009	A	B	C	D	E	
37	Box, Electrical	3108030.002	A	B	C	D	E	
38	Grommet, Compressor (3 req.)	3100238.165	A	B	C	D	-	
	Grommet, Compressor (3 req.)	3100238.207	-	-	-	-	E	
39	Sleeve, Compressor (3 req.)	3100239.072	A	B	C	D	-	
	Sleeve, Compressor (3 req.)	3100239.122	-	-	-	-	E	

Index No.	Description	Part No.	59136.331(X)	59516.336(X)	59516.531(X)	59516.536(X)	59516.631(X)
40	Nut, Flange Compressor (3 req.)	306342.002	A	B	C	D	E
41	Screw, Compressor (3 req.)	307987.021	A	B	C	D	-
	Screw, Compressor (3 req.)	307987.020	-	-	-	-	E
42	Insulation	3109712.012	A	B	C	D	E
43	Strain Relief, Evaporator Cover	302994.019	-	B	-	D	-
44	Washer (2 req.)	309513.039	-	B	-	D	-
45	Grommet, Shroud	3109283.014	-	B	-	D	-
46	Screw (2 req.)	3105445.005	-	B	-	D	-
47	Panel, Solar	3109856.009	-	B	-	D	-
48	Indicator, Charge (not shown)	3109855.019	-	B	-	D	-
49	Bracket, Field Template	3307853.006	-	B	-	D	-

NOTE 1: **Open End Shroud (Shell White) 3108239.009**
Open End Shroud (Polar White) 3108239.017
Open End Shroud (Light Gray) 3108239.025
***Closed End Shroud (Shell White) 3308084.007**
***Closed End Shroud Polar White) 3308084.015**
***Closed End Shroud (Gray) 3308084.023**

***Closed End Shroud can not be painted.**

NOTE 2: **Screw, Open End Shroud 313685.001 (Qty. 14)**
Screw, Closed End Shroud 3308261.001 (Qty. 4)

Customer Options:

Comfort Control Center	3109228.001
Control Kit	3109226.005
Sensor Kit, 20'	3106486.008
Sensor Kit, 60'	3106486.016
Sensor Kit, 40'	3106486.024
Bolt Kit, 6"	3100895.006
Screen, Decorative	3101701.005
Bolt Kit, 9.5"	3100895.014
Cover Kit, Return Air SW	3105007.003
Cover Kit, Return Air PW	3105007.011
Cover Kit, Return Air SW	3105007.037
Cover Kit, Return Air PW	3105007.045
Cover Kit, Return Air SW	3105935.005
Cover Kit, Return Air PW	3105935.013
Cover Kit, Return Air SW	3105935.039
Cover Kit, Return Air PW	3105935.047
Asm., Return Air Grill SW	3308120.009
Asm., Return Air Grill PW	3308120.017
Air Box Asm., SW	3107210.001
Air Box Asm., PW	3107210.019
Box Asm., Complete SW	3107206.009
Box Asm., Complete PW	3107206.017
Control Kit, Analog Cool/Furn.	3107541.009
Heater Element	3101121.030
Duct Kit	3106775.004
Remote Control Kit IR CF	3308417.009
Remote Control Kit IR CFHS	3308417.025