

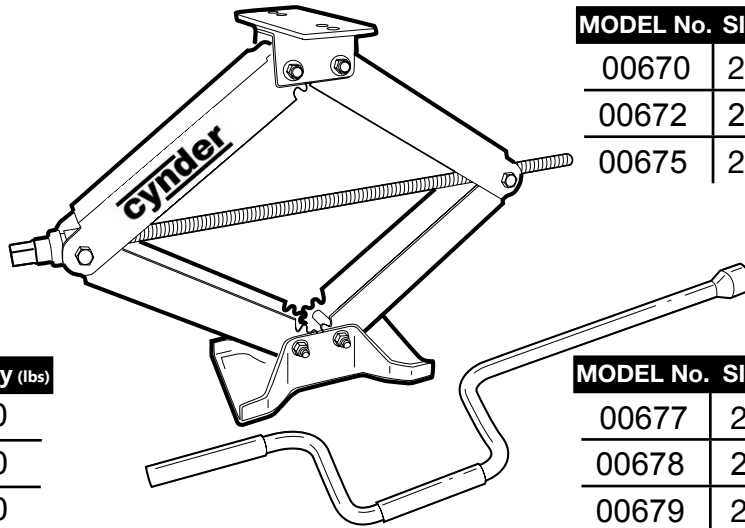
WARNING: CAREFULLY READ THE FOLLOWING INSTALLATION INFORMATION.

**cynder**

[www.cynder.com](http://www.cynder.com)

# Leveling Scissor Jacks

For use with  
all recreational  
vehicles



MODEL No.	SIZE	QTY	Capacity (lbs)
00670	24"	2	5000
00672	24"	1	5000
00675	24"	4	5000

MODEL No.	SIZE	QTY	Capacity (lbs)
00671	30"	2	5000
00673	30"	1	5000
00676	30"	4	5000

MODEL No.	SIZE	QTY	Capacity (lbs)
00677	24"	2	7500
00678	24"	1	7500
00679	24"	4	7500

## Installation and Operating Instructions

### ⚠ Caution ⚠

- Cynder leveling scissor jacks are designed for use with 5th wheel recreational trailers and campers, as well as recreational vehicles, campers and trailers. The scissor jack is used to level and stabilize the vehicle and/or camper or trailer when parked, reducing free suspension play.
- Do not use for any other than the intended purpose, such as to lift tires from the ground, or to lift excessive weight. Such actions may result in door jam and vehicle frame damage. When using the Scissor Jack, use the Cynder crank handle (included in multi-pack; sold separately for single pack). Do not use other accessories such as an impact wrench or cheater bar handle.

### Notes

- Before installation of the Leveling Scissor Jack, contact the vehicle's manufacturer to ensure the RV has compatible sub-frame strength. Some RVs are designed to support the weight of the cabin only.
- If any parts or components of the product kit are missing or damaged, contact the scissor jack manufacturer. Do not return to the dealer. CYNDER CANNOT BE HELD RESPONSIBLE FOR ANY DAMAGES DUE TO IMPROPER USE OR INSTALLATION OF THIS PRODUCT. CYNDER CANNOT BE HELD ACCOUNTABLE FOR THE STRUCTURAL INTEGRITY OF ANY RV FRAME.

### Tools for Installation

- C-clamps
- 50' string
- Electric drill
- 1/8" drill bit
- 11/32" drill bit
- Arc welder (Used only if welding jacks to frame)
- 9/16" socket
- Appropriate hardware (Required if not welding).
- Ratchet w/extension
- Lithium Grease
- Appropriate safety protection (gloves, eye protection, etc.)

### NOTICE

Anything that extends beyond the lines is at risk of damage or destruction from off-road driving, entering or exiting driveways, or uneven terrain.

## Where to Find the Correct Location for Installation

### For recreational trailer or 5th wheel:

#### Step 1:

Be sure to park on level ground. Chock the tires and check the ground clearance.

#### Step 2:

From the front corner of the trailer frame, draw a string to the bottom of the front tire. Repeat the procedure from the rear trailer frame to the bottom of the rear tire, as seen in the illustration.

Note:

Anything that extends beyond the lines is at risk of damage or destruction from off-road driving, entering or exiting driveways, or uneven terrain.

### For RV/Motorhome:

#### Step 1:

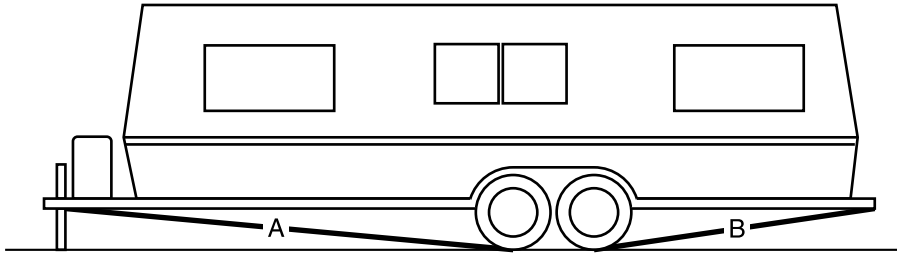
Park the RV on level ground and apply the emergency brake. Check for suitable ground clearance and chock all of the vehicle's tires.

#### Step 2:

From the front bumper to the bottom of the front tire, draw a string. Repeat the process drawing a string from the overhang, or rear bumper to the bottom of the rear tire.

Note:

Any objects that extend past the lines is at risk for damage, destruction, or falling off due to uneven ground conditions, entering or leaving driveways, or excursions off-road.



### When Finding Your Vehicle's Mounting Placement, check:

- Ground clearance suitability
- Jack handle receivers are accessibly placed
- There is sufficient clearance for other under-frame components

Before continuing with the installation, be sure to gather safety equipment such as welding apparel, safety glasses, and gloves.

## INSTALLATION

**Step 3:** For any compatible vehicle- Either in the front or the rear of the vehicle, place the jack closest to the frame. Be sure to stay within the previously placed string's perimeter. Hold the completely collapsed jack in place with C-clamps or Vice Grips. The handle receivers are to be placed outward, but must not extend past the trailer.

- Check the placement by opening and closing the jack handle. This ensures there is ample space for movement, without obstruction from the vehicle's chassis or under frame components, such as exhaust pipe, etc.
- If necessary, move the scissor jack to find an unimpeded placement.

## INSTALLATION

### Step 4:

Once an acceptable position for all of the jacks is found, open the jacks until they touch the ground. It is important to use enough pressure to ensure the jacks do not move during the final installation processes.

**▲ Caution ▲** During either bolt or welding installation, be sure drilling or welding will not damage any components under the chassis: fuel or brake lines, water, gas, electrical, or generator fuel lines, water heater, holding tank plumbing.

**Step 5:** for bolting installation- Once the scissor jack placement is located, use the mounting plate as a template, and on the vehicle frame, mark the location of the holes. Remove the jack.

- Use a hammer and center punch to mark the placement of the center of each hole.
- Use 1/8" bit to create pilot holes and an 11/32" drill bit to finish drilling the holes.
- Replace the jack in its location. With a 9/16" socket and ratchet, attach the scissor jacks to the frame using four bolts and four washers per jack. (fig. 1)
- Use lithium grease to lubricate the scissor jack leveler screw. This step should be repeated yearly.

**▲ Caution ▲** During either bolt or welding installation, be sure drilling or welding will not damage any components under the chassis: fuel or brake lines, water, gas, electrical, or generator fuel lines, water heater, holding tank plumbing.

### Step 5: For Welding Installation

- Use welding manufacturer's safety recommendations during installation.
- Once jack placement is determined, weld the mounting plates to the vehicle's frame. Use four 1" welds for this step. (fig. 2)
- Apply lithium grease to each scissor jack leveler screw. Reapply once a year.

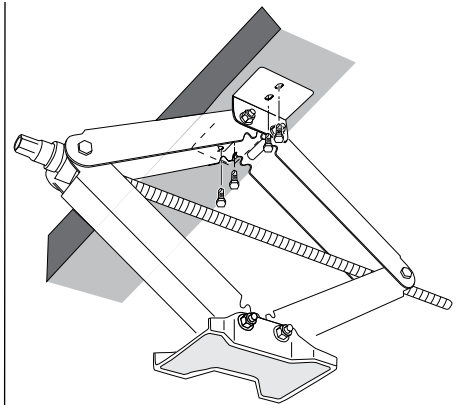


Figure 1

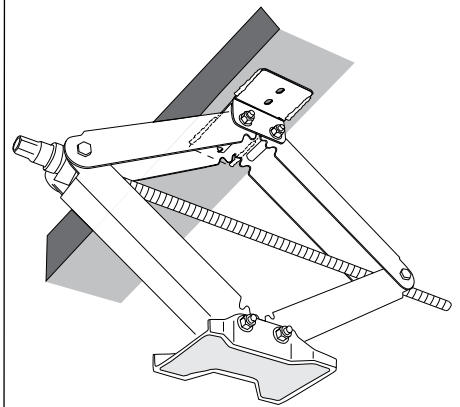


Figure 2

## OPERATION PROCEDURES

### Step 1:

Park on level ground. Engage emergency brake and tire chocks.

### Step 2:

Using either landing gear or tongue jack, level the front and back of the vehicle.

### Step 3:

Beginning on the lowest side of the vehicle, crank the scissor jack down first. The jacks on the other sides are used to further stabilize the vehicle.

## ▲ Caution ▲

- Vehicle and door damage may result if scissor jack is used to lift excessive weight or tires off the ground.
- Operate with approved stock handle crank only.
- Not for use with impact wrench or cheater bar handle.
- Use for scissor jack's intended purpose only.
- Not for use as a tire changing jack.